

## BVO650C

### High Resolution Decorative Mini Cameras

#### Product Overview

Bavono BVO650 Camera Series utilizes Sony Super HAD II CCD and the latest Digital Signal Processing (DSP) technology. This leading edge technology made possible a high resolution of 650 TVL. With a choice of five stunning decorative exterior designs to compliment your existing decor and built-in OSD (On-Screen Display), the Bavono BVO650 Camera Series is an ultimate choice for settings including hotels, retail stores, and offices.

#### Horizontal Resolution

Horizontal Resolution is one of the key factors in assessing the quality of cameras expressed in Television Lines (TVL). Optical low-pass filters are used in Bavono cameras to eliminate color aliasing. Serial Signal Processing and image enhancement technology deliver a high resolution of 650 TVL. The image quality is further enhanced via advanced image processing techniques and special algorithms.

#### Digital Noise Reduction

DSP (Digital Signal Processing) cameras utilizespecial digital noise reduction algorithms to significantly eliminate signal disturbances and color noise. As a result, motion trails are minimized to deliver high quality images.

#### Privacy Masking

The Privacy Masking function allows users to block out designated areas where video surveillance is not desirable.

#### Electronic Shutter

Electronic Shutter ensures clarity of objects in high speed motion. Shutter speed is directly proportional to image quality.

#### Features

- ▶ 1/3" Sony Super HAD CCD II
- ▶ More than 650TVL of Horizontal Resolution
- ▶ Minimum Illumination of 0.01 Lux
- ▶ 4 Zones Privacy Masking Function
- ▶ Digital Noise Reduction for Reducing HDD Capacity
- ▶ Built-in OSD (On Screen Display)
- ▶ Five Colorful Shell Optional
- ▶ Power Supply: DC 12V



Checkered



Dark Beech



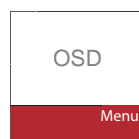
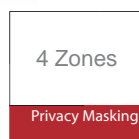
Snake Skin



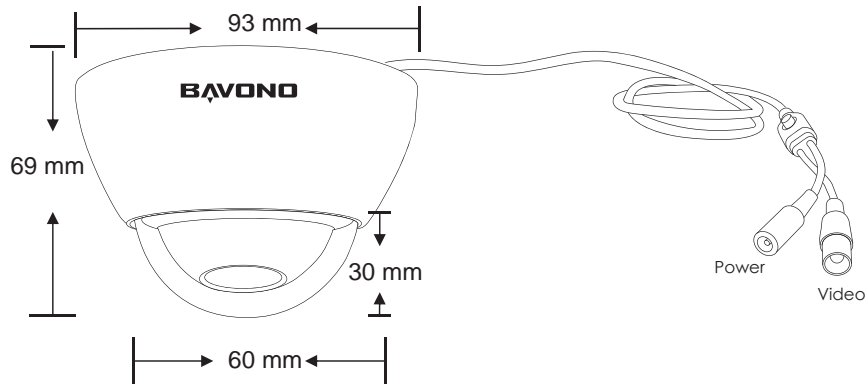
Marble



Light Beech



## Dimensions



## Specifications

Model	BVO650C	
Video Standard	NTSC	PAL
Image Sensor	1/3" SONY Super HAD CCD II	
Effective Picture Elements	NTSC: 768 (H) × 494 (V)	PAL: 752 (H) × 582 (V)
Horizontal Resolution	650TVL	
Min. Illumination (approx.)	0.01 Lux	
Scanning System	2:1 Interlace	
Synchronizing System	Auto / Internal	
Video Out Level	1.0V (p-p) / 75Ω, Composite	
Video S/N Ratio	More than 50dB (AGC Off)	
Electronic Shutter	1/60 - 1/120,000 sec	1/50 - 1/120,000 sec
2D-Digital Noise Reduction (2D-DNR)	Off / Low / Middle / High	
Privacy Masking	4 Zones	
OSD Language	English / Chinese	
Power Requirement	DC 12V	
Operating Temperature	-20°C - 60°C / 30% - 80%	
Storage Temperature	-30°C - 60°C / 20% - 90%	
Shell Material	Plastic	
Shell Color	Marble/ Checkered / Snake Skin / Dark Beech / Light Beech	

## Applications



Offices



Car Parks



Shopping Malls



Warehouses



Hotels



Retail Stores